



# J-STD-038-B UPDATE

## Network Interworking Between GSM MAP and ANSI-41 MAP

**Douglas Rollender**

**Lucent Technologies**

**August 26, 2003**

**IFAST-22, Los Angeles**



# Service Descriptions



- Authentication
- Call Forwarding (CFU, CFB, CFNRy, CFNBc; CFU, CFB, CFNA, CFD)
- Optimal Routing for Late Call Forwarding
- Call Waiting
- Three-Way Calling & Multi-Party
- Calling Number/Line ID
- Call Barring & Operator Determined Barringb
- Short Message Teleservice Support (ANSI-136)
- Message Waiting Notification
- GPRS in GSM Foreign Mode
- CDMA Packet Data Service in Foreign Mode?

# Assumptions



- R-UIM, Multi-Mode MS
- ESN, R-UIM-ID
- GHOST, WEMT: OTA Programming, SMS, WAP
- MS Types A, B, C



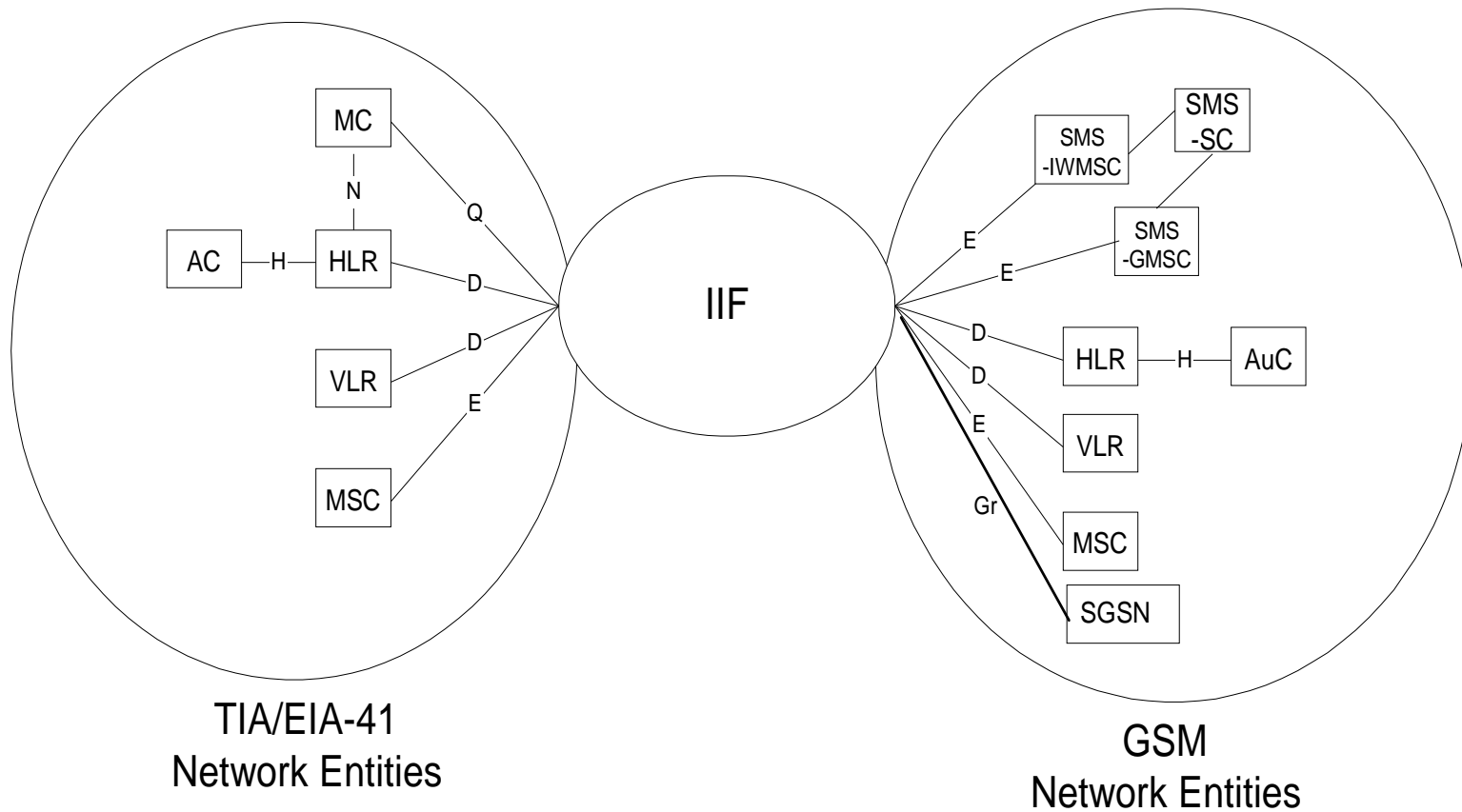
**-IIF = Interoperability and Interworking Function provides signaling control between GSM and ANSI-41 Networks**

**- Two-Way Roaming or One-Way Roaming only from ANSI-41 to GSM without Subscriber Data Provisioned in the IIF**

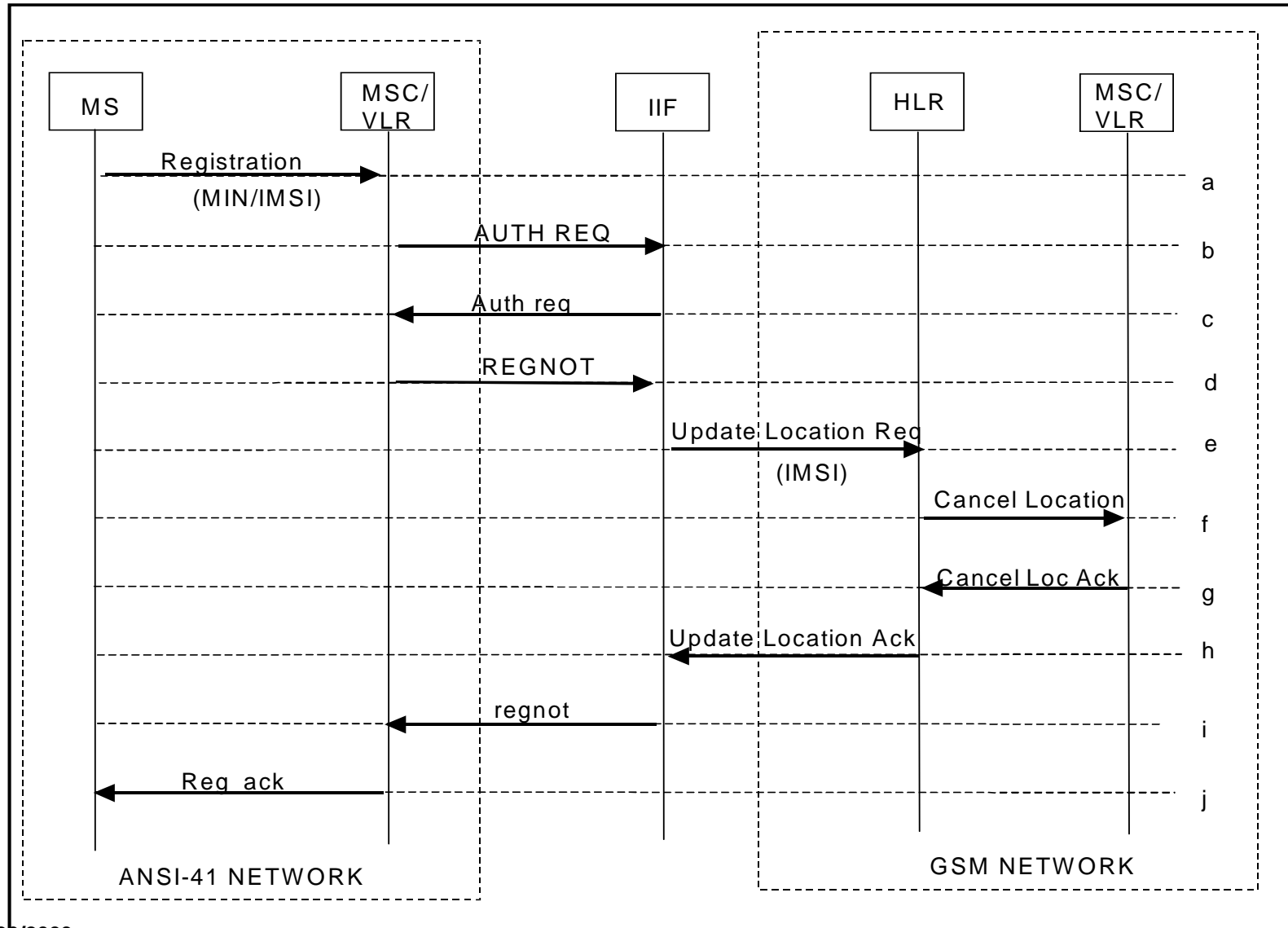
**- Mobile States:**

- **GSM Native Mode**  
and
- **ANSI-136 Foreign Mode**
- **CDMA Foreign Mode**
- **CPDS in ANSI-41 Foreign Mode?**
- **CDMA Native Mode**
- **ANSI-136 Native Mode**  
and
- **GSM Foreign Mode**
- **GPRS in GSM Foreign Mode**

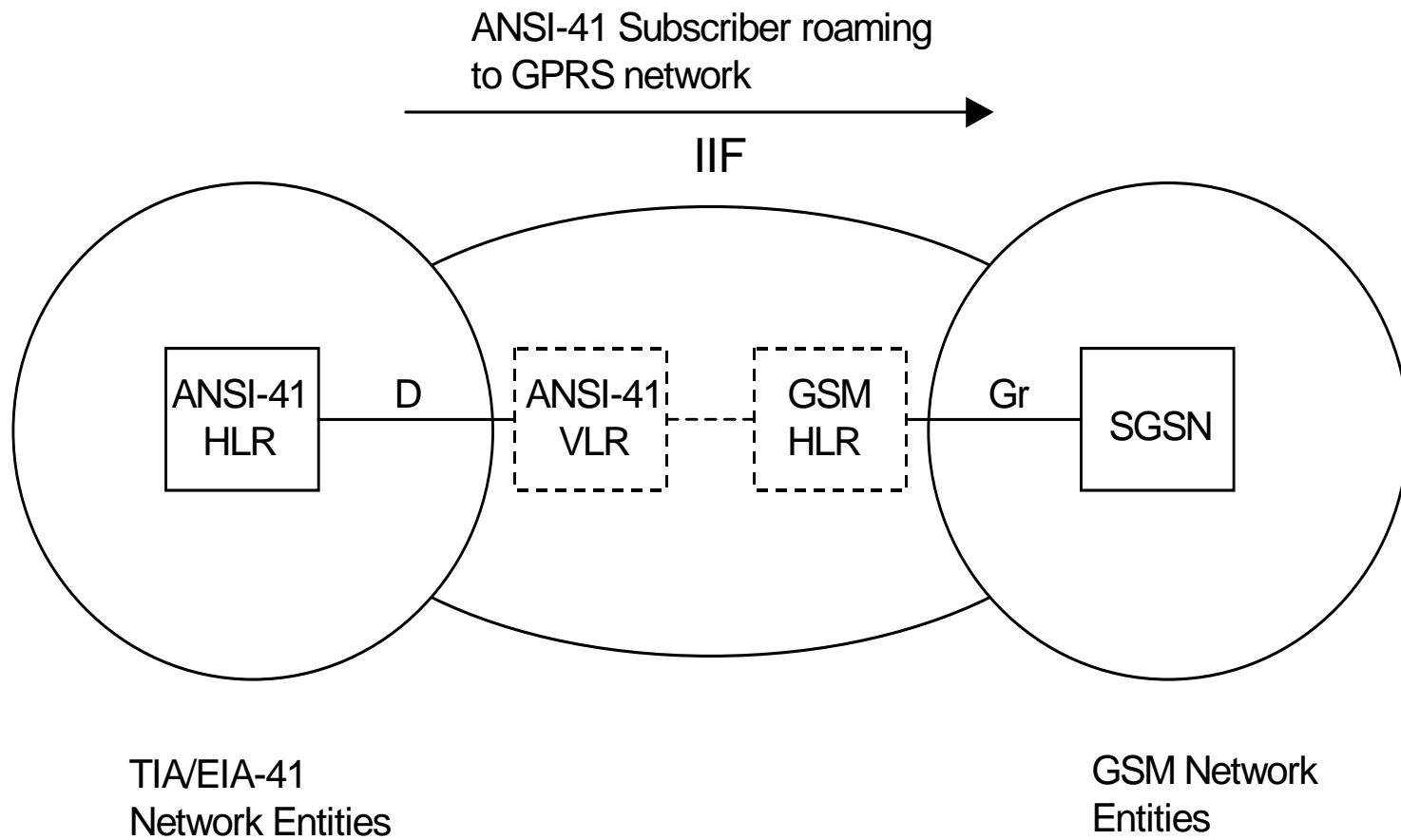
# J-STD-038-A Reference Model



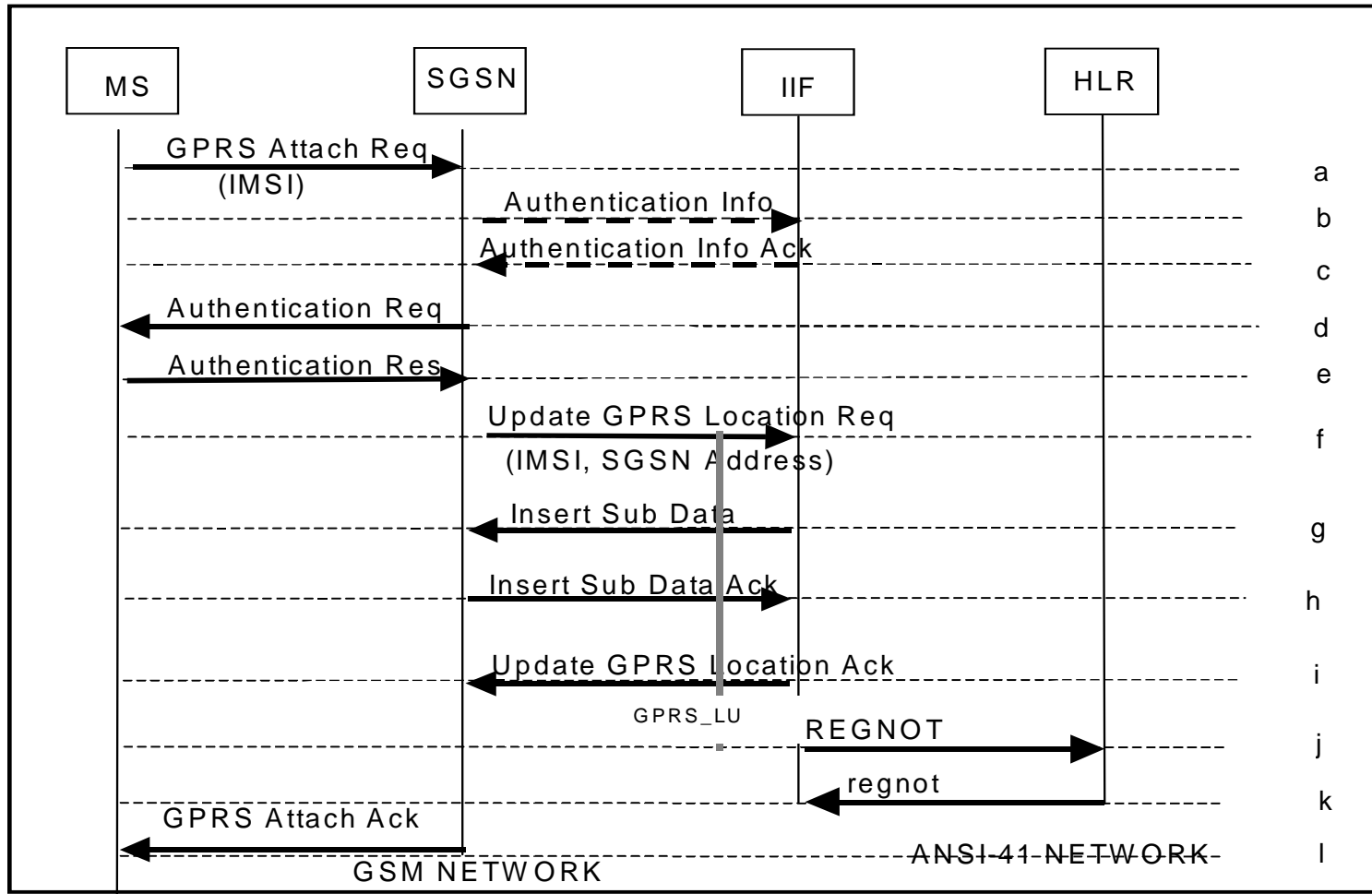
# Registration on an ANSI-41 Network (ANSI-41 Foreign Mode) with IS-808 R-UIM



# HLR-SGSN Interface

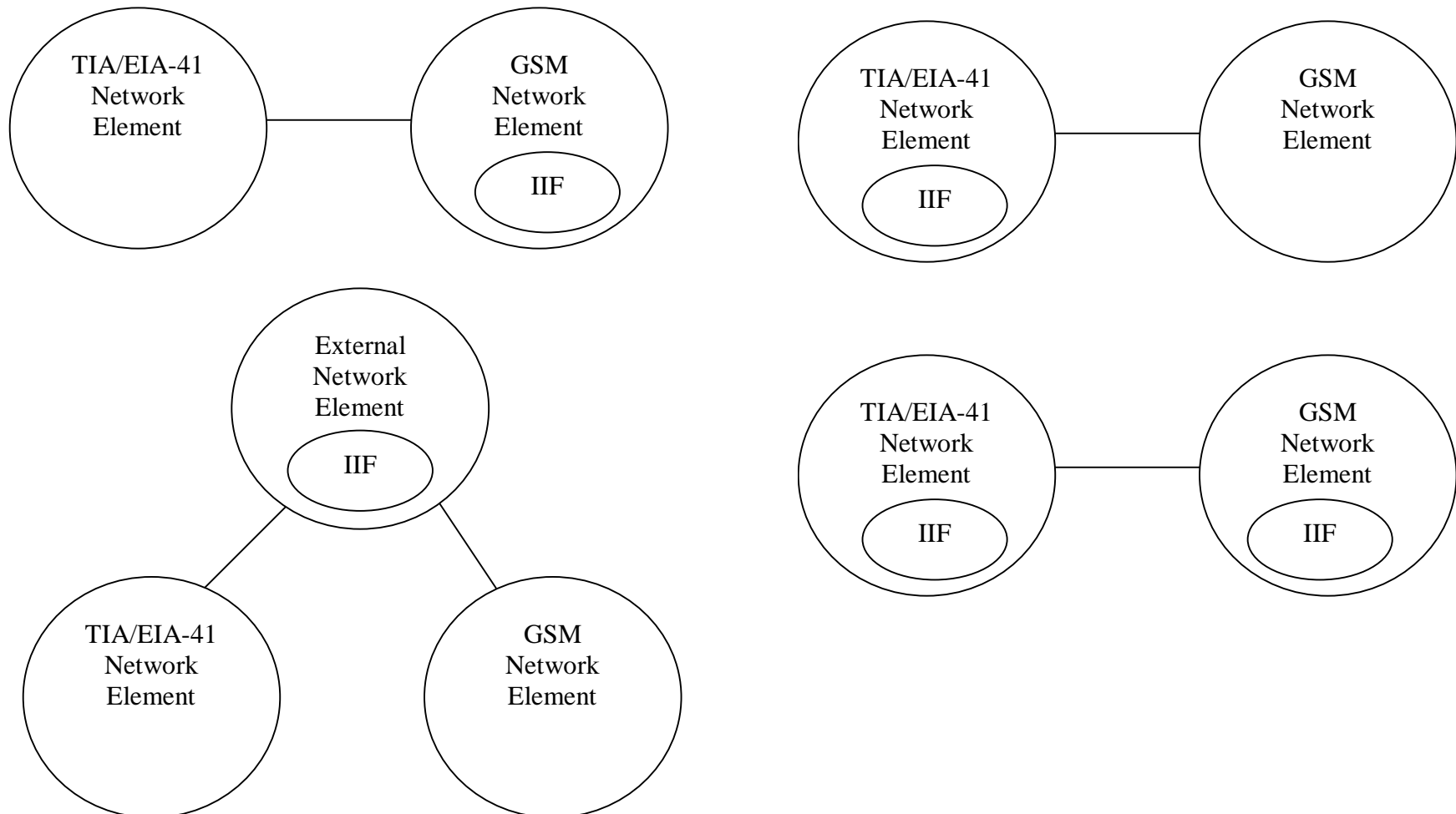


# GPRS Attach





# IIF Implementation Alternatives: In or Between One or Both Nets.





---

**... for more information**

**about Lucent's IIF Gateway**

**compliant with J-STD-038-B for Global Roaming,**

**contact your Lucent Account Representative or  
Srini Brahmandam, IIF Gateway Product Manager, at 614-860-2807 and  
sbrahmandam@lucent.com**